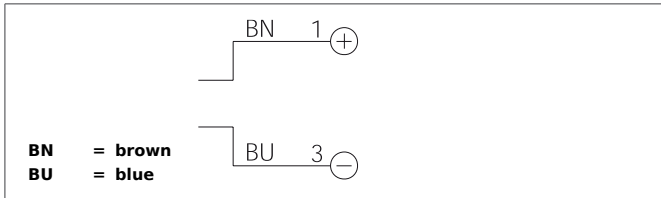
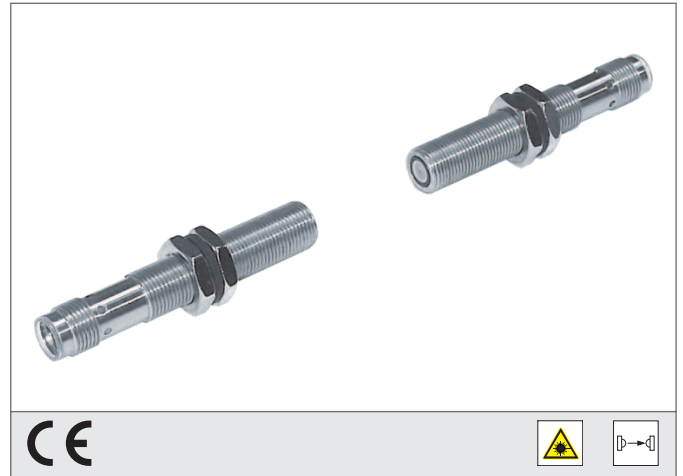


OLS 12 V 2000-IBSL

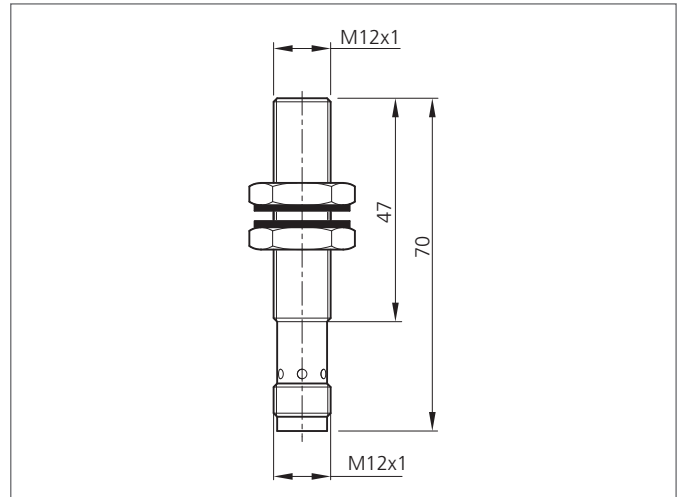
Laser Through Beam Sensor, Transmitter

- Small design
- Collimated red light laser
- Visible laser spot
- Robust metal casing



Safety instructions

Inproper use may result in hazardous radiation exposure. Pay attention to accident prevention rules and laser class. The instruments are not to be used for safety applications, in particular applications in which safety of persons depends on proper operation of the instruments. These instruments shall exclusively be used by qualified personnel.



TECHNICAL INFORMATION (typ.)	+20°C, 24V DC
Operating principle	Through beam sensors, transmitter
Evaluation	digital
Size	M12 x 1 (thread)
Design	screw
Emitted light	Red light laser, 670 nm, clocked
Laser class	1 (IEC 60825-1)
Service voltage	10 ... 35 V DC
Internal power consumption	< 30 mA
Operating distance	0 ... 2.000 mm
Sensitivity adjustment	no setting elements
Switching frequency	2.000 Hz
Laser beam divergency	2 mrad
Ambient temperature	0 ... +50 °C
Insulation voltage endurance	500 V
Protection class	IP 67
Protection degree	III, operation on protective low voltage
Casing material	stainless steel
Connection	Connector, M12
Connecting cable	VK ...